

PIONEER®



AM/FM MULTIPLEX RECEIVER

SX-40

SX-40 SPECIFICATIONS

FM Section

Circuitry	Ratio-Detector with AFC
Frequency Range	88-108 mc
Usable Sensitivity (IHFM Rating)	3 μ v
Selectivity	\pm 100 kc (-3 db)
Discriminator Bandwidth (Peak to Peak)	600 kc
Signal to Noise Ratio	50 db
Antenna Input	300 ohm unbalanced

Multiplex Section

Circuitry	Switching type; equipped with stereo indicator light
Channel Separation	Better than 35 db at 1,000 cps

AM Section

Frequency Range	535 kc—1605 kc
Usable Sensitivity (IHFM Rating)	50 μ v
Selectivity	
Sharp	\pm 3 kc
Broad	\pm 9 kc
Antenna Input	Built-in ferrite loopstick with terminal for external antenna

Audio Section

Music Power Output	20 watts per channel
RMS Rated Power Output	15 watts per channel
Frequency Response	\pm 1 db from 15 cps to 100,000 cps
Harmonic Distortion (at Rated Output)	Less than 1%
Damping Factor	7.0
Hum and Noise (at Rated Output)	
Magnetic	Better than 60 db
Auxiliary	Better than 70 db

Input and Audio Sensitivity

Magnetic	3 mv
Crystal or Ceramic	47 mv
Auxiliary	300 mv
Tape Playback	300 mv
Bass Control	Boost 14 db, cut 13 db at 50 cps
Treble Control	Boost 11 db, cut 13 db at 10,000 cps

Filters

High Cut Filters	-15 db at 10,000 cps
Low Cut Filters	-10 db at 50 cps

Equalization

Phono	RIAA
-------	------

Power Supply

Power Requirements

Silicon diodes
115/230 volts 1.5/0.75 amp,
145 watts (max) 50-60 cps

Tubes (19)

1—6BE6, 3—6BA6,
3—6AQ8/ECC85,
1—6CG7,
5—12AX7/ECC83,
4—6BQ5/EL84, 1—6AV6,
1—EM84

Diodes (8)

Germanium:
2—0A-70/1N60,
4—0A-81/1N34

Silicon: 2—SE-05b

Neon Light

Stereo indicator light

Dimensions

18-29/32"(W) \times 6-1/32"(H)
 \times 13-3/32"(D)

Weight

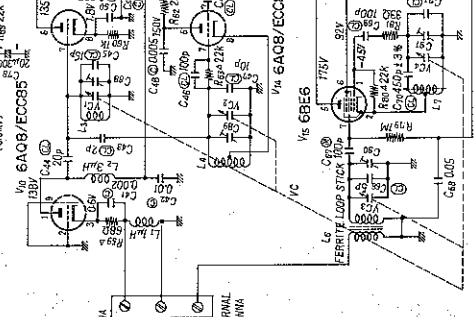
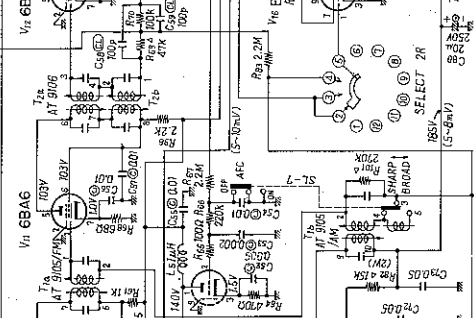
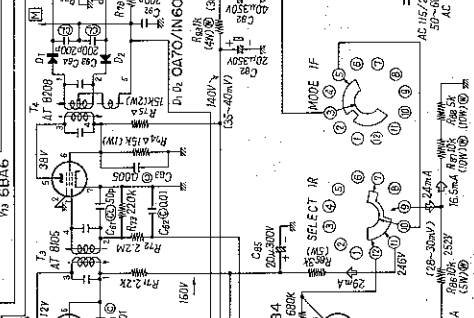
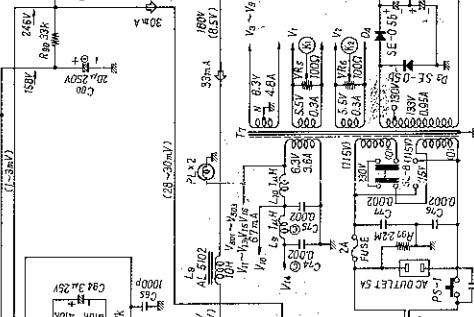
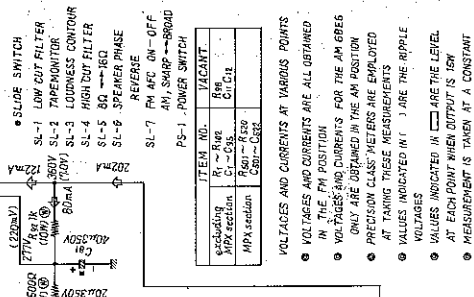
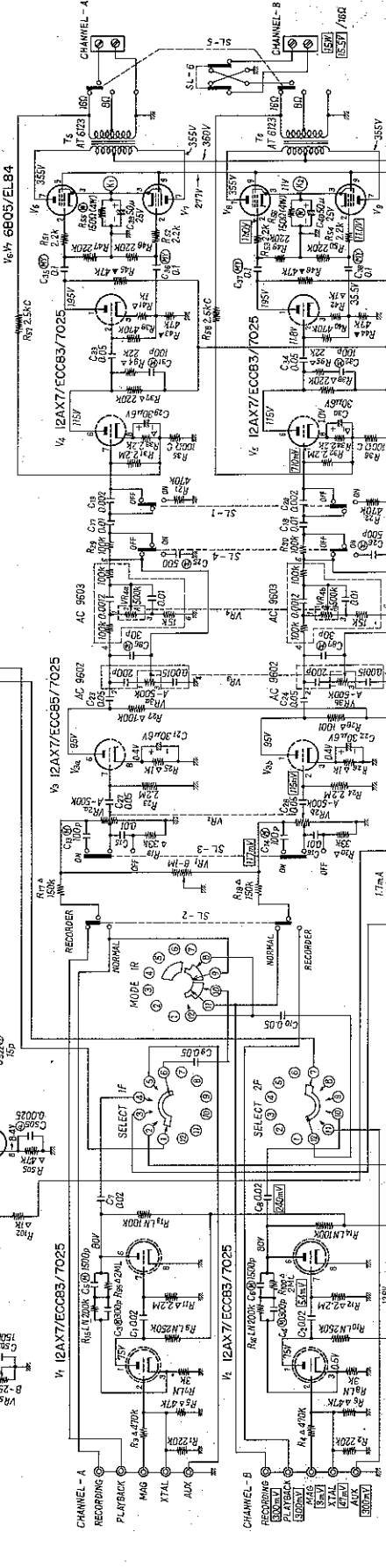
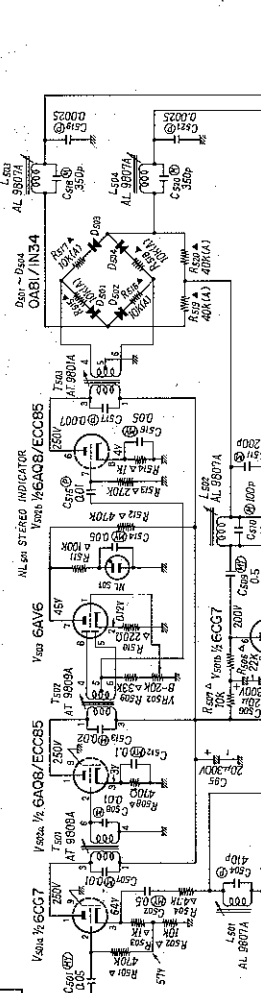
35 lbs. 3 oz.

PIONEER ELECTRONIC CORPORATION

SX-40

- CAPACITORS
IN μ F, 20% TOLERANCE UNLESS OTHERWISE NOTED
P = 50PF
- ① --- STYROL (5%) ② --- POLYETHYLENE (10%)
③ --- MICA (10%) ④ --- CERAMIC (10%)
⑤ --- ELECTROLYTIC ⑥ --- NON MARK --- OIL PAPER
- POTENTIOMETERS
VH --- BALANCE CONTROL
VH --- VOLUME CONTROL
VH --- TREBLE CONTROL
VH --- BASS CONTROL
VH --- RUN BALANCER
VH --- SEPARATION CONTROL
VH --- INDICATOR LIGHT ADJUSTMENT

- SELECTOR
11 STEREO REF
12 STEREO NORM
13 AM
14 MONO A
15 MONO B
- RESISTORS
20% TOLERANCE, 1/2 WATT, UNLESS OTHERWISE NOTED
K = ALUMINA, N = NICHROME, W = WAT 77
--- LESS THAN 5% TOLERANCE
① --- 5% TOLERANCE
② --- 10% TOLERANCE
③ --- 5% TOLERANCE, C TYPE CARBON
④ --- 10% TOLERANCE, C TYPE CARBON
⑤ --- 5% TOLERANCE, L TYPE CARBON
⑥ --- 10% TOLERANCE, L TYPE CARBON



ITEM NO.	VACANT
1	
2	
3	
4	
5	
6	
7	
8	
9	
10	
11	
12	
13	
14	
15	
16	
17	
18	
19	
20	
21	
22	
23	
24	
25	
26	
27	
28	
29	
30	
31	
32	
33	
34	
35	
36	
37	
38	
39	
40	
41	
42	
43	
44	
45	
46	
47	
48	
49	
50	
51	
52	
53	
54	
55	
56	
57	
58	
59	
60	
61	
62	
63	
64	
65	
66	
67	
68	
69	
70	
71	
72	
73	
74	
75	
76	
77	
78	
79	
80	
81	
82	
83	
84	
85	
86	
87	
88	
89	
90	
91	
92	
93	
94	
95	
96	
97	
98	
99	
100	

VOLTAGES AND CURRENTS AT VARIOUS POINTS IN THE FM POSITION
 ONLY ARE OBTAINED IN THE AM POSITION
 PRECISION CLASS METERS ARE EMPLOYED AT TAKING THESE MEASUREMENTS
 VALUES INDICATED IN μ ARE THE RIPPLE
 VOLTAGES
 VALUES INDICATED IN \square ARE THE LEVEL AT EACH POINT WHEN OUTPUT IS 1W
 MEASUREMENT IS TAKEN AT A CONSTANT 155V AC